



Features

- Unit height of 2.9 mm
- Inductance range: 1500 to 10,000 μ H
- Rated current up to 0.12 A
- RoHS compliant*

Applications

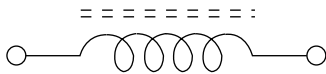
- DC/DC converters
- Power supplies for:
 - Portable communication equipment
 - Laptop computers
 - Camcorders, HDTV, car audio systems

SRE6603 Series - Shielded SMD Power Inductors

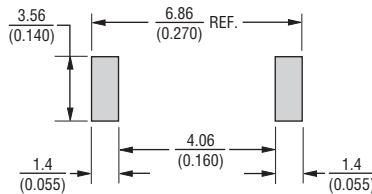
Electrical Characteristics

Bourns Part No.	Inductance @ 100 KHz L (μ H) \pm 20 %	Q (Ref.)	Test Frequency (KHz)	SRF (MHz) Typ.	DCR (Ω) Max.	I rms (A)	I sat (A)
SRE6603-152M	1500	50	100	2	4.2	0.12	0.035
SRE6603-222M	2200	50	100	2	8.5	0.10	0.028
SRE6603-332M	3300	50	100	1	11	0.08	0.024
SRE6603-472M	4700	50	100	1	13.9	0.06	0.021
SRE6603-682M	6800	50	100	1	25	0.04	0.019
SRE6603-103M	10,000	50	100	0.8	32.8	0.02	0.017

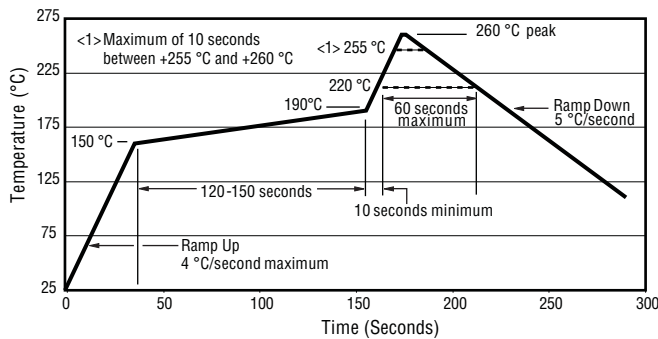
Schematic



Recommended Layout



Soldering Profile



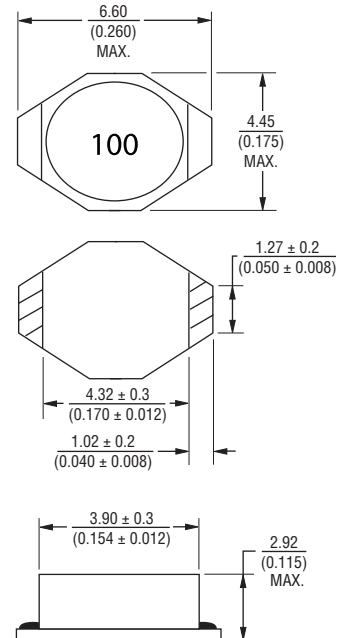
General Specifications

Test Voltage 0.1 V
 Reflow Soldering ... 230 °C, 50 sec max.
 Operating Temperature -25 °C to +105 °C
 (Temperature rise included)
 Storage Temperature -40 °C to +125 °C
 Resistance to Soldering Heat 260 °C for 10 sec.

Materials

Core Ferrite
 Wire Enameled copper
 Base Ceramic
 Adhesive Epoxy resin
 Terminal Ag/Ni/Au
 Rated Current Ind. drop of 30 % typ. at Isat
 Temperature Rise ... 40 °C typical at Irms
 Packaging 2000 pcs. per 13-inch reel

Product Dimensions



DIMENSIONS: $\frac{\text{MM}}{\text{(INCHES)}}$

*RoHS Directive 2002/95/EC Jan. 27, 2003 including annex and RoHS Recast 2011/65/EU June 8, 2011.

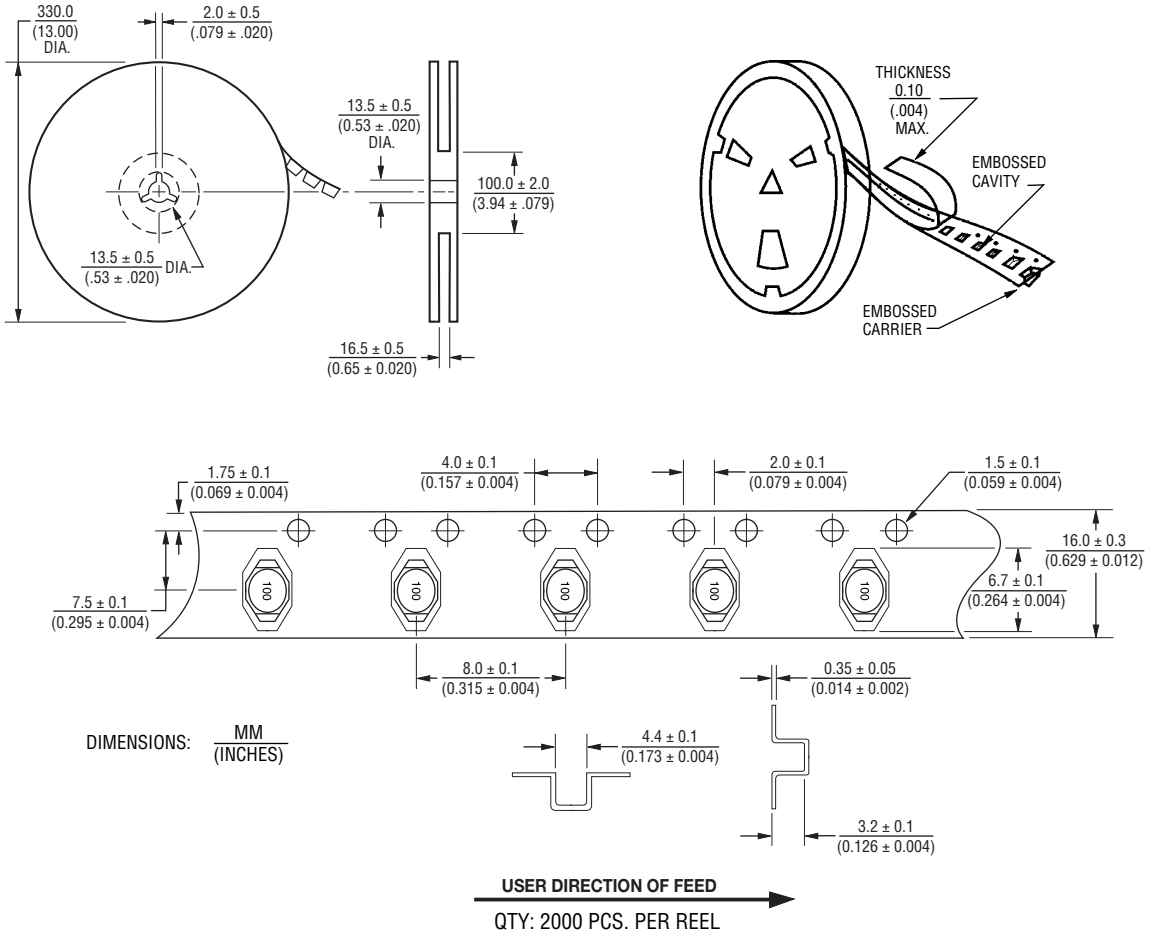
Specifications are subject to change without notice.

The device characteristics and parameters in this data sheet can and do vary in different applications and actual device performance may vary over time. Users should verify actual device performance in their specific applications.

SRE6603 Series - Shielded SMD Power Inductors

BOURNS®

Packaging Specifications



BOURNS®

Asia-Pacific: Tel: +886-2 2562-4117 • Fax: +886-2 2562-4116
 Europe: Tel: +41-41 768 5555 • Fax: +41-41 768 5510
 The Americas: Tel: +1-951 781-5500 • Fax: +1-951 781-5700
www.bourns.com

REV. 01/14

Specifications are subject to change without notice.
 The device characteristics and parameters in this data sheet can and do vary in different applications and actual device performance may vary over time.
 Users should verify actual device performance in their specific applications.

Mouser Electronics

Authorized Distributor

Click to View Pricing, Inventory, Delivery & Lifecycle Information:

Bourns:

[SRE6603-103M](#)