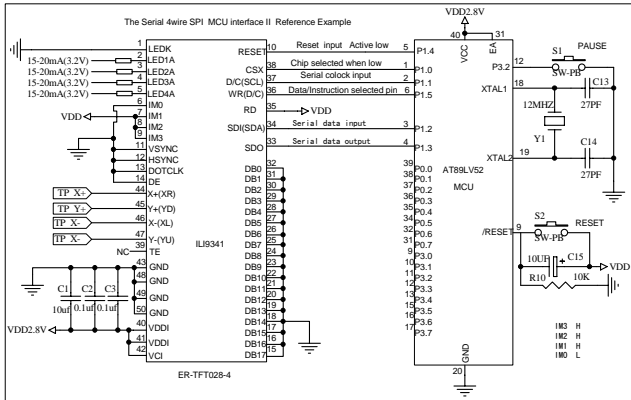
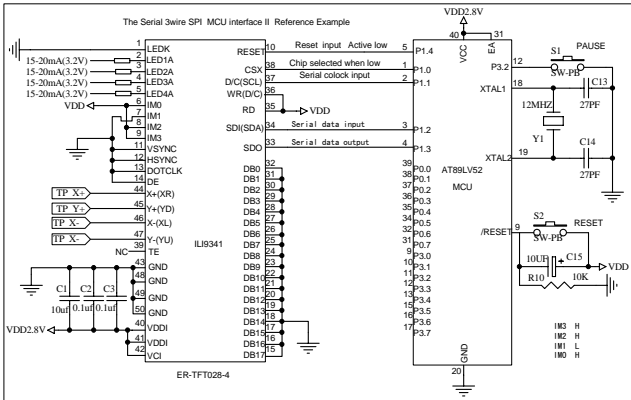
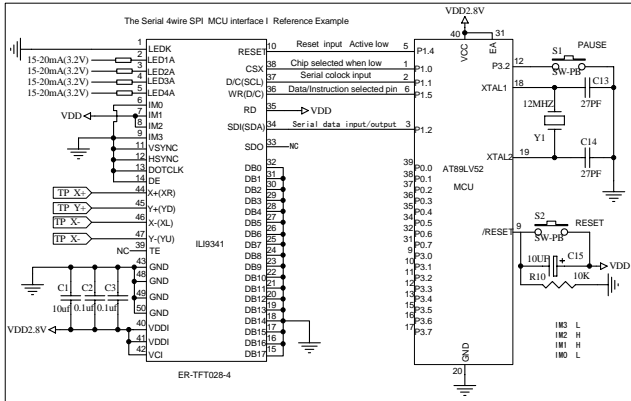
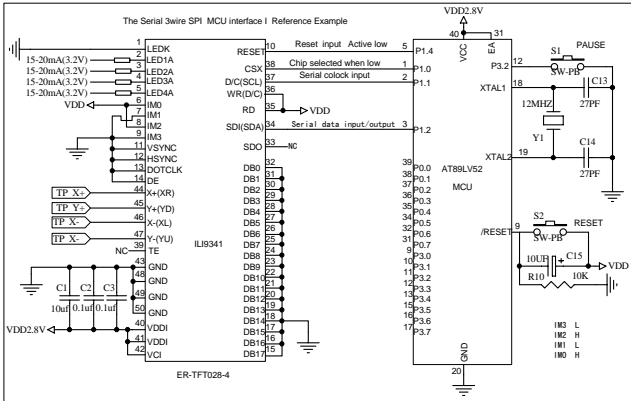
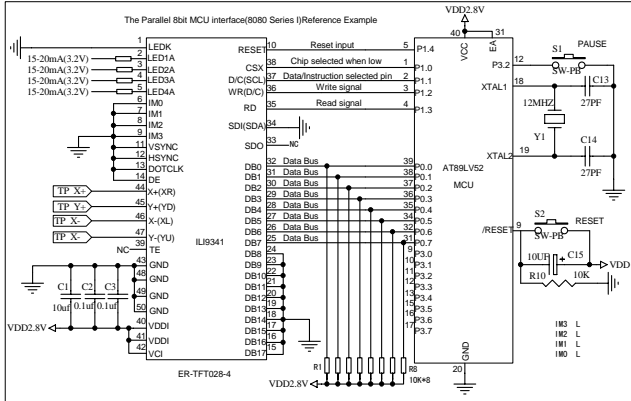
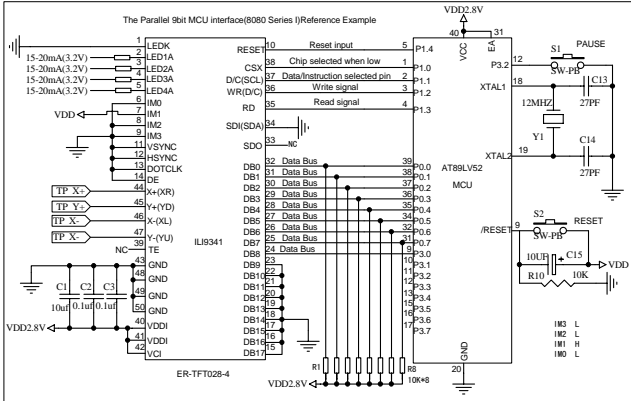
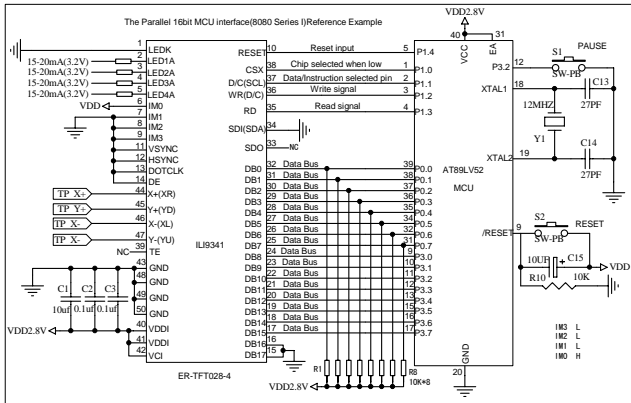
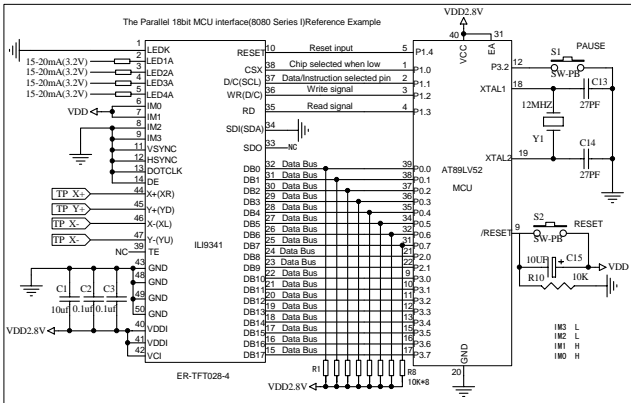
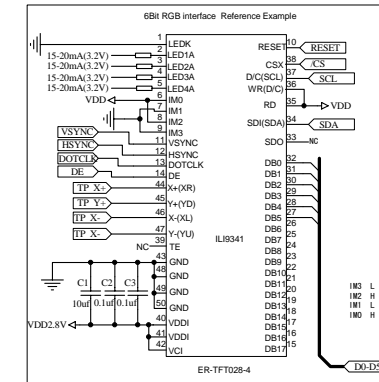
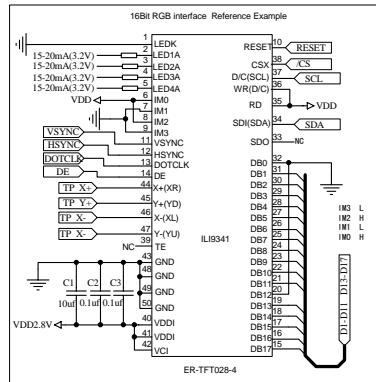
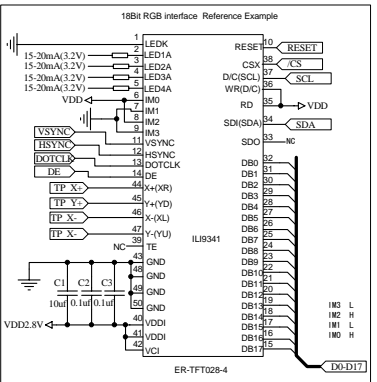


MCU (AT89LV52) Interfacing



RGB Interfacing



Title EASTRISING TECHNOLOGY CO.,LTD.

REV.	DESCRIPTION OF MODIFY	MODIFY BY	DATE	Size	Number	Revision
A0	1 ST DESIGN	JJM	2013.01.23	A	ER-TFT028-4	A0
A1	MODIFY THE DESIGN FROM 15 TO 2000PPI	JJM	2013.03.30		23-JAN-2013	1
A2	MODIFY THE DESIGN FROM 15 TO 2000PPI	JJM	2013.04.16			1