

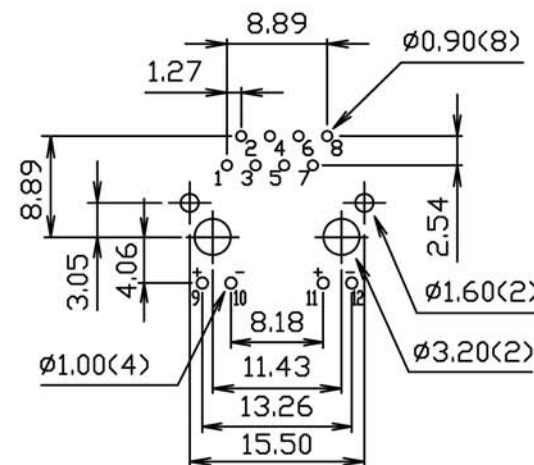
**DETAIL Y**

**MATERIALS:**

- HOUSING-PBT POLYESTER UL94V-0 MIXED GLASS FIBER. STANDARD COLOR-BLACK.
- CONTACTS-0.35mm THICK PHOS-BRONZE PLATED WITH HARD GOLD AND GOLD FLASH IN SOLDER AREA.
- SHIELD-0.25mm THICK COPPER ALLOY, PLATED WITH NICKEL.

CAVITY CONFIRMS TO FCC RULES AND REGULATIONS PART 68,SUBPART F.

**SOLDERING TEMPERATURE 260±5°C 5SEC.**



PC Board Layout  
Tolerance: +/-0.05mm

**Ordering information**

LMJ199882 X110DL XT39J  
Gold Plating  
1: 15u"  
2: 30u"  
3: 50u"  
4: 6u"  
LED  
1: LED1-Green, LED2-Yellow  
2: LED1-Yellow, LED2-Green



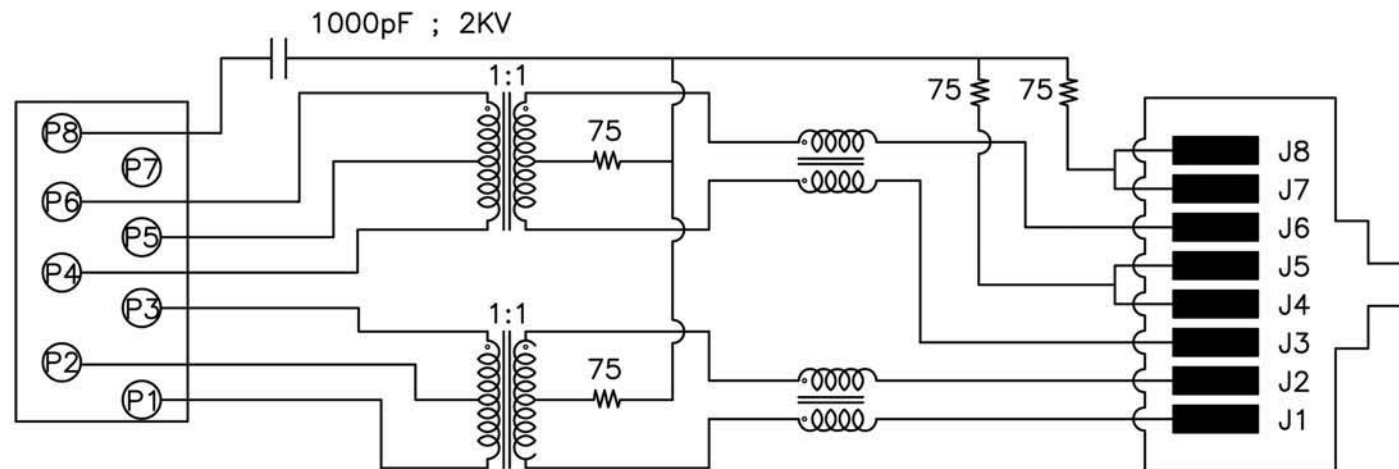
TOLERANCE (mm)	APPROVALS	DATE	TITLE	AMPHENOL
X. ±0.3	DRAWN Stephane	2014/Mar/20	RJ45 w/Transformer & LED Side Entry Shielded	Amphenol European Design Center
XX ±0.2	CHECKED Rob	2014/Mar/20		
X.XX ±0.15	APPROVED Rob	2014/Mar/20		
UNLESS OTHERWISE SPECIFIED	UNIT: mm		SIZE: A4	DRAWING N°
			LMJ199882X110DLXT39J	Scale N.A. Sheet 1 of 2
				REV. C

**ELECTRICAL CHARACTERISTICS:**

- |                                                     |                                         |
|-----------------------------------------------------|-----------------------------------------|
| 1. TURNS RATIO :                                    |                                         |
| (P6-P5-P4): (J6-J3)                                 | :1CT:1CT ± 3%                           |
| (P3-P2-P1): (J2-J1)                                 | :1CT:1CT ± 3%                           |
| 2. INDUCTANCE: (P6-P4)                              | : 350uH MIN. @ 0.1V, 100KHz,8mA DC Bias |
| (P3-P1)                                             | : 350uH MIN. @ 0.1V, 100KHz,8mA DC Bias |
| 3. LEAKAGE INDUCTANCE: P6-P4 (WITH J6 AND J3 SHORT) | : 0.3 MAX. @ 1MHz                       |
| P3-P1 (WITH J2 AND J1 SHORT)                        | : 0.3 MAX. @ 1MHz                       |
| 4. INTERWINDING CAPACITANCE: (P6,P5,P4)TO(J6,J3)    | : 30pf MAX. @1MHz                       |
| (P3,P2,P1)TO(J2,J1)                                 | : 30pf MAX. @1MHz                       |
| 5. DC RESISTANCE: (J6-J3)=(J2-J1)                   | : 1.2 ohms Max.                         |
| 6. CROSSTALK                                        | :-30dB MIN AT 1MHz TO 100MHz            |
| 7. INSERTION LOSS                                   | :-1.0dB MAX AT 1MHz TO 100MHz           |
| 8. RETURN LOSS                                      | :-20dB MIN AT 1MHz TO 30MHz             |
|                                                     | -15dB MIN AT 30MHz TO 60MHz             |
|                                                     | -10dB MIN AT 60MHz TO 80MHz             |

**NOTES**

1.0 PINS WITHOUT ELECTRICAL CONNECTION ARE OMITTED



**CONNECTOR SCHEMATIC**



TOLERANCE (mm)	APPROVALS	DATE	TITLE	AMPHENOL
X.    ±0.3	DRAWN Stephane	2014/Mar/20	RJ45 w/Transformer & LED Side Entry Shielded	Amphenol European Design Center
XX   ±0.2	CHECKED Rob	2014/Mar/20		
X.XX ±0.15	APPROVED Rob	2014/Mar/20		
UNLESS OTHERWISE SPECIFIED	UNIT: <b>mm</b>		SIZE: <b>A4</b> DRAWING N°: <b>LMJ199882X110DLXT39J</b>	Scale N.A.    Sheet 2 of 2
				REV. <b>C</b>