



DESCRIPTION: F JACK SIDE EDGE, PCB MOUNT

MODEL NUMBER: 25-7630

APPLICATION: PCB MOUNT

CRIMP TOOL: N/A

IMPEDANCE: 75 OHM

FREQUENCY RANGE: 0-1 GHz

RETURN LOSS: 34dB (0-250MHz)

23dB (250-750MHz)

19dB (750~1GHz)

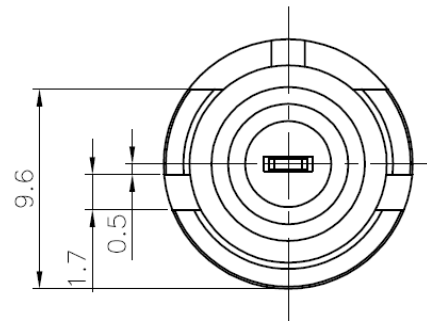
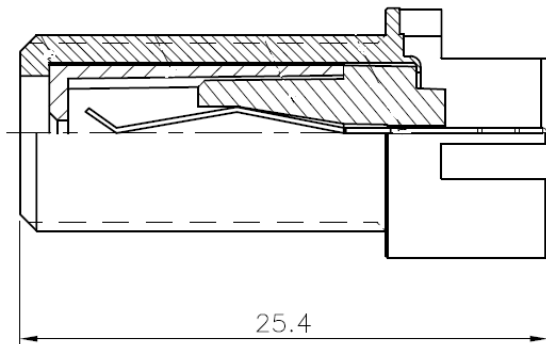
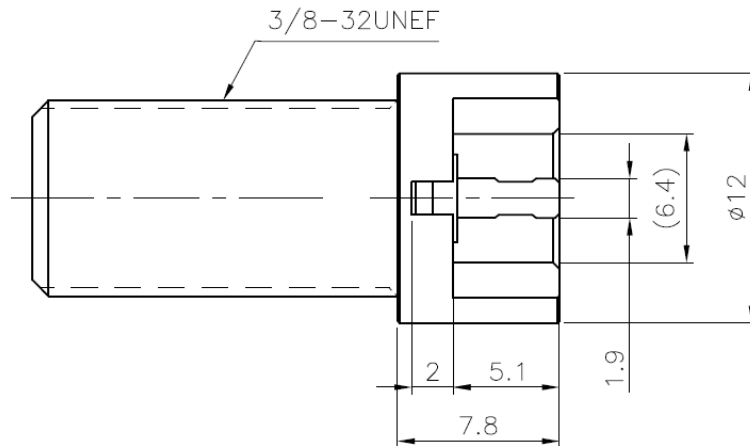
MATERIAL: BODY BRASS SN PLATED

INSULATOR PP

CONTACT PHOS. BRNZ SN PLATED

RoHS COMPLIANCE: YES

TECHNICAL DETAIL: REFET TO EMERSON DOCUMENT 25-0000



		<b>AIM-Cambridge</b>	
	<b>RoHS</b> 2002/95/EC	Title: (CPF61SE) F Jack side edge, PCB Mount	
<small>This PROPRIETARY Document is property of Emerson Network Power, Connectivity Solutions. It is confidential in nature, non-transferable, and issued with the clear understanding that it is not traced or copied without permission and is reparable upon demand.</small>	<small>UNLESS OTHERWISE SPECIFIED UNITS: METRIC</small>	Model No. <b>25-7630</b>	
<small>INTERPRET DRAWING IN ACCORDANCE WITH ASME Y14.5-2009.</small>	.XX ±.51 .XXX ±.127 ANGLES ±2°	Size <b>A</b>	DO NOT SCALE DRAWING Date: 10/16/2013
			Sheet 1 of 1